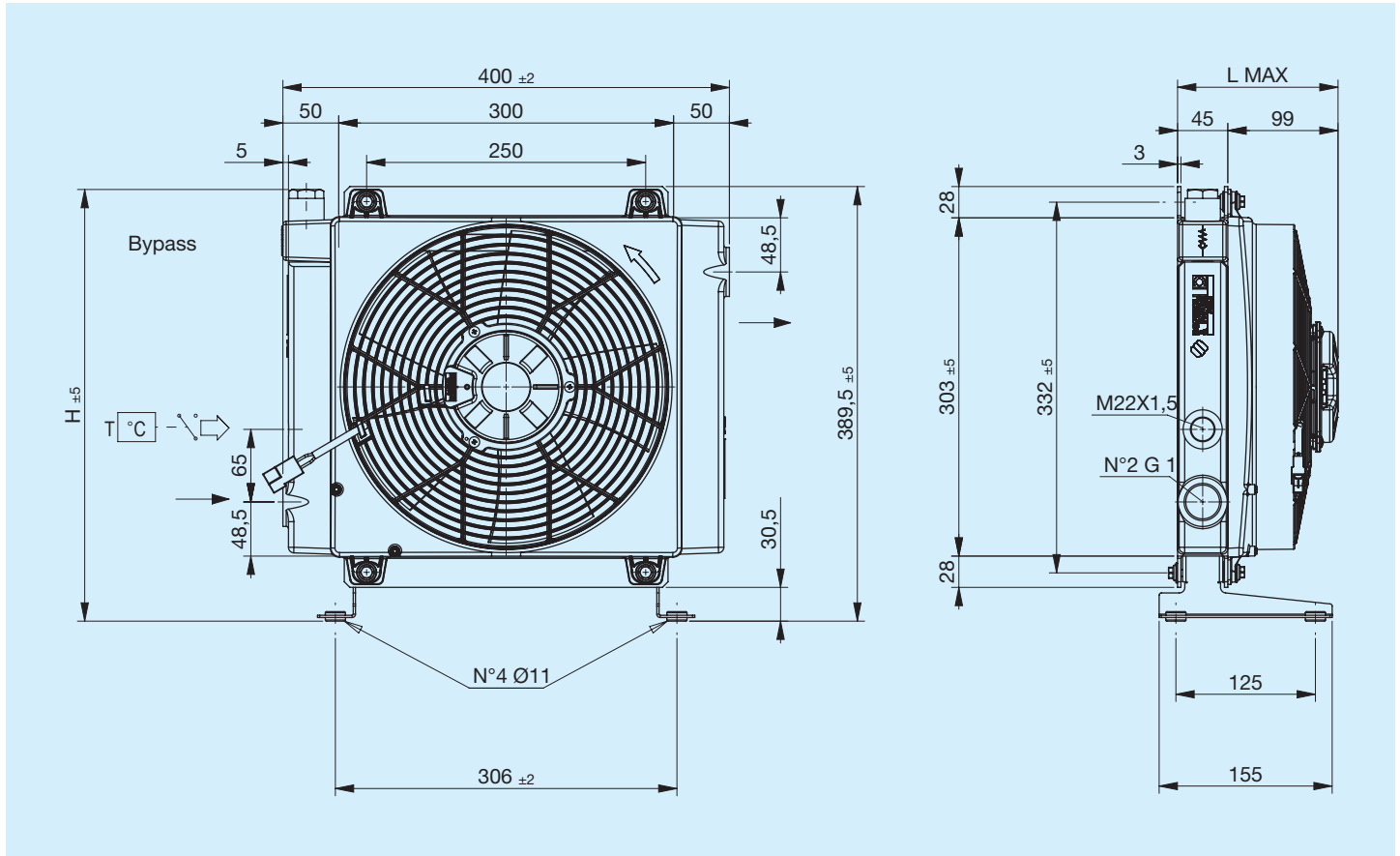


A26

398SAE006EN01

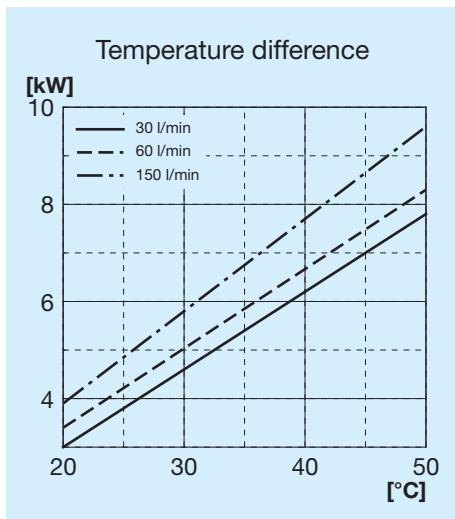


Before using the heat exchanger, carefully read the document entitled GENERAL INSTRUCTIONS FOR HEAT EXCHANGER USE.

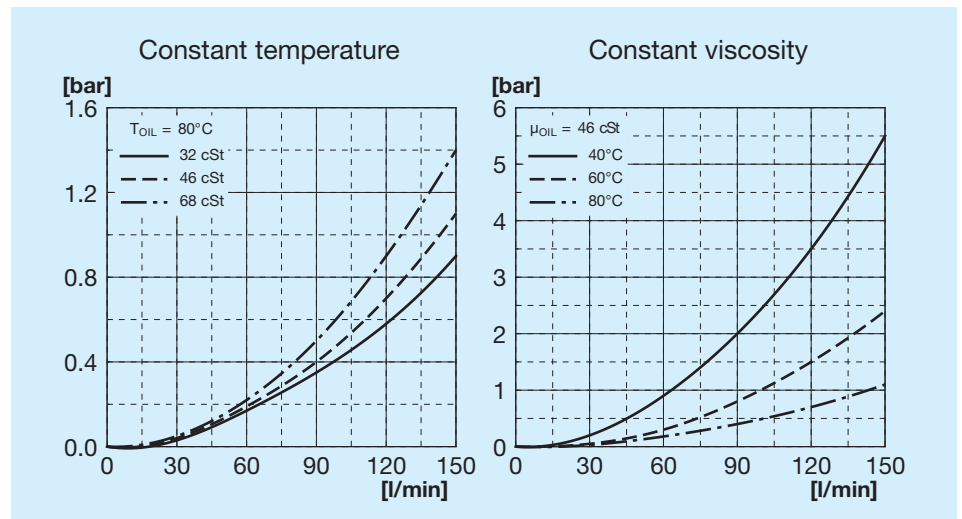


Code	Description	Fan mm	Air flow m ³ /h	Voltage V	Amperage A	L Max mm	H mm	Weight Kg	Capacity l
FR633133105	A26 1EAX 12V bypass T15 V.T. 3 bar 60°C	280	2350	12	15	160	388	7,8	2,3
FR633133106	A26 1ESX 12V bypass T15 V.T. 3 bar 60°C	280	2350	12	15	160	388	7,8	2,3
FR633131005	A26 1EAX 12V bypass T15 VNR 4.5 bar	280	2350	12	15	160	372	7,8	2,3
FR633131006	A26 1ESX 12V bypass T15 VNR 4.5 bar	280	2350	12	15	160	372	7,8	2,3
FR633133115	A26 1EAX 24V bypass T15 V.T. 3 bar 60°C	280	2500	24	7	160	388	7,8	2,3
FR633133116	A26 1ESX 24V bypass T15 V.T. 3 bar 60°C	280	2500	24	7	160	388	7,8	2,3
FR633131015	A26 1EAX 24V bypass T15 VNR 4.5 bar	280	2500	24	7	160	372	7,8	2,3
FR633131016	A26 1ESX 24V bypass T15 VNR 4.5 bar	280	2500	24	7	160	372	7,8	2,3
FR633130003	A26 1EAP 12V	280	1420	12	9	160	390,5	7	2,3
FR633130004	A26 1ESP 12V	280	1420	12	9	160	390,5	7	2,3
FR633130005	A26 1EAX 12V	280	2350	12	15	160	390,5	7,8	2,3
FR633130006	A26 1ESX 12V	280	2350	12	15	160	390,5	7,8	2,3
FR633130013	A26 1EAP 24V	280	1550	24	5	160	390,5	7	2,3
FR633130014	A26 1ESP 24V	280	1550	24	5	160	390,5	7	2,3
FR633130015	A26 1EAX 24V	280	2500	24	7	160	390,5	7,8	2,3
FR633130016	A26 1ESX 24V	280	2500	24	7	160	390,5	7,8	2,3

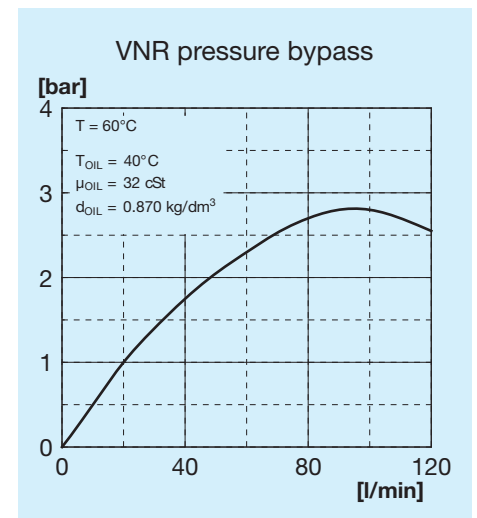
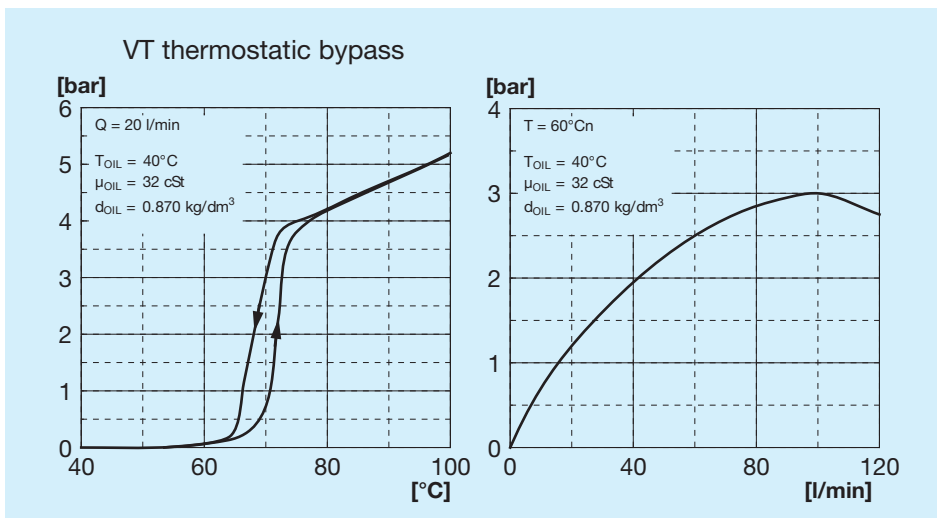
Heat exchange capacity



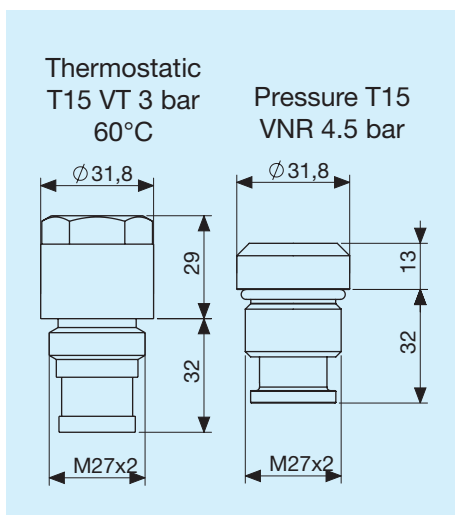
Radiator passage pressure drop



Bypass passage load loss

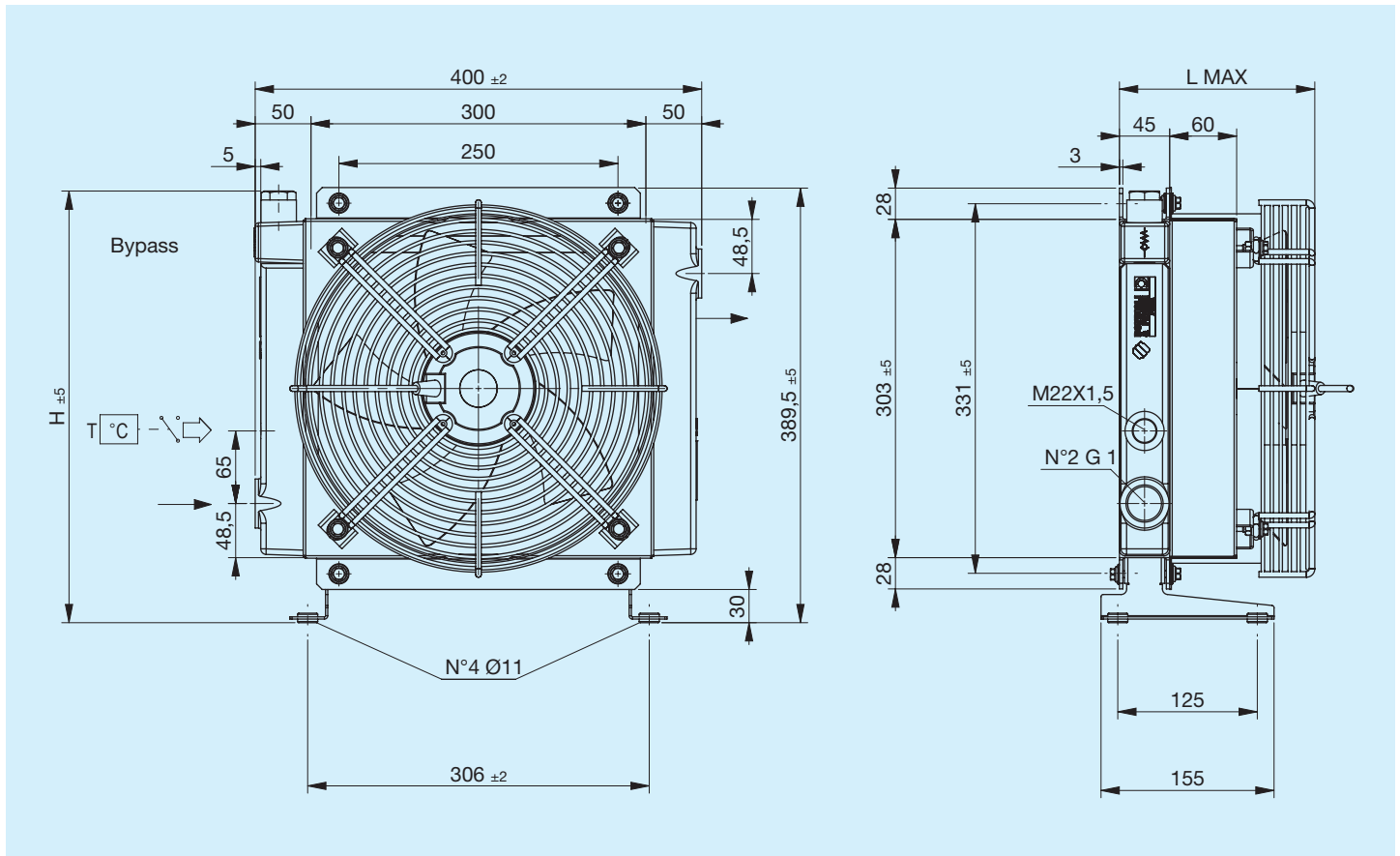


Bypass valves



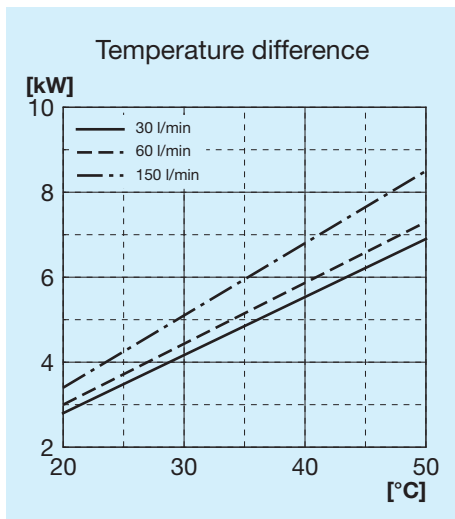
Legend

A26	Exchanger type
1E	1 Fan unit
AP	High power aspirating
SP	High power blower
AX	Extra high power aspirating
SX	Extra high power blower
12V	Fan unit voltage
24V	Fan unit voltage
T15 VT	Thermostatic bypass valve 3 bar 60°C
T15 VNR	Pressure bypass valve at 4.5 bar

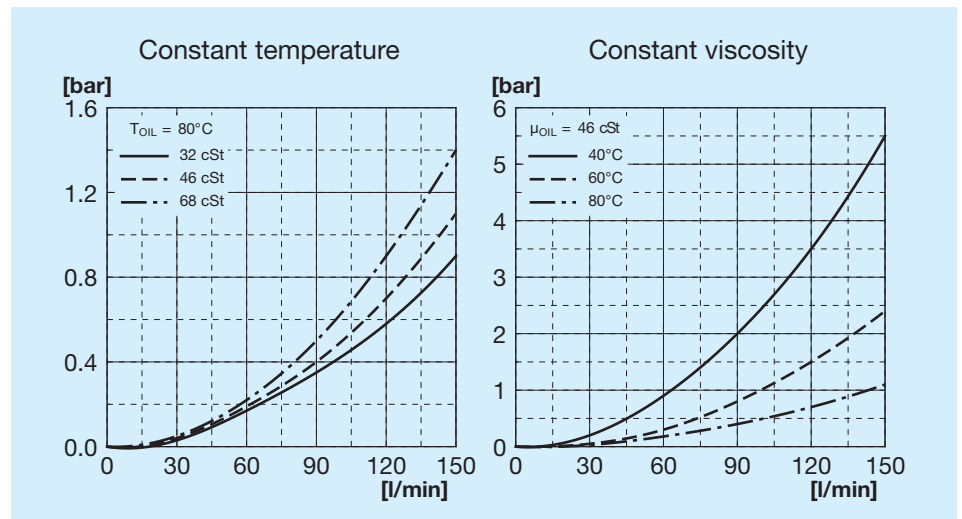


Code	Description	Ø Fan mm	Power W	Frequency Hz	Velocity min ⁻¹	IP Rating	L Max mm	H mm	Weight Kg	Capacity l
FR633133131	A26 1EA 230V bypass T15 V.T. 3 bar 60°C	300	350	50 60	2700 3000	44	175	387	7	2,3
FR633133132	A26 1ES 230V bypass T15 V.T. 3 bar 60°C	300	350	50 60	2700 3000	44	175	387	7	2,3
FR633131031	A26 1EA 230V bypass T15 VNR 4.5 bar	300	350	50 60	2700 3000	44	175	371	7	2,3
FR633131032	A26 1ES 230V bypass T15 VNR 4.5 bar	300	350	50 60	2700 3000	44	175	371	7	2,3
FR633133121	A26 1EA 400V bypass T15 V.T. 3 bar 60°C	300	350	50 60	2600 2850	44	175	387	7	2,3
FR633133122	A26 1ES 400V bypass T15 V.T. 3 bar 60°C	300	350	50 60	2600 2850	44	175	387	7	2,3
FR633131021	A26 1EA 400V bypass T15 VNR 4.5 bar	300	350	50 60	2600 2850	44	175	371	7	2,3
FR633131022	A26 1ES 400V bypass T15 VNR 4.5 bar	300	350	50 60	2600 2850	44	175	371	7	2,3
FR633130031	A26 1EA 230V	300	350	50 60	2700 3000	44	175	390,5	7	2,3
FR633130032	A26 1ES 230V	300	350	50 60	2700 3000	44	175	390,5	7	2,3
FR633130021	A26 1EA 400V	300	350	50 60	2600 2850	44	175	390,5	7	2,3
FR633130022	A26 1ES 400V	300	350	50 60	2600 2850	44	175	390,5	7	2,3

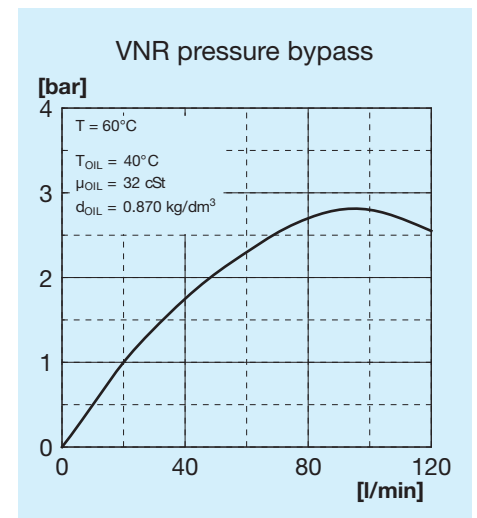
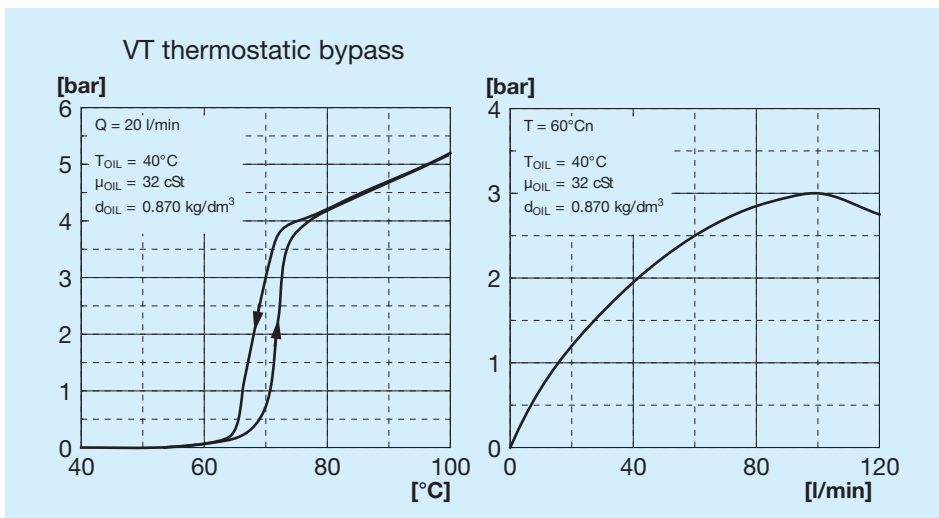
Heat exchange capacity



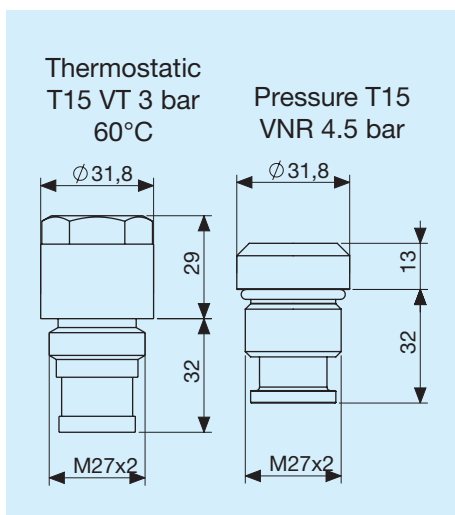
Radiator passage pressure drop



Bypass passage load loss

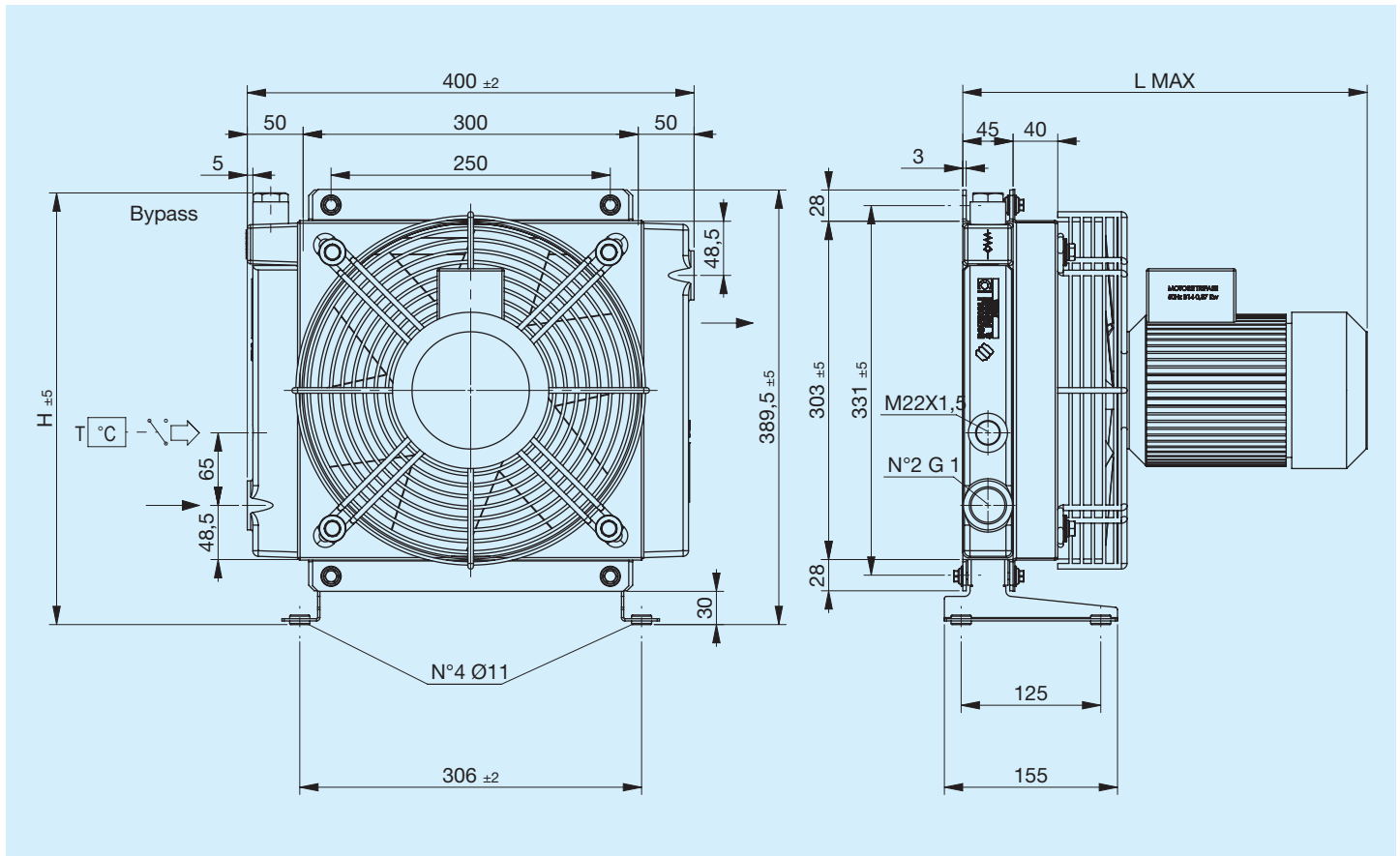


Bypass valves



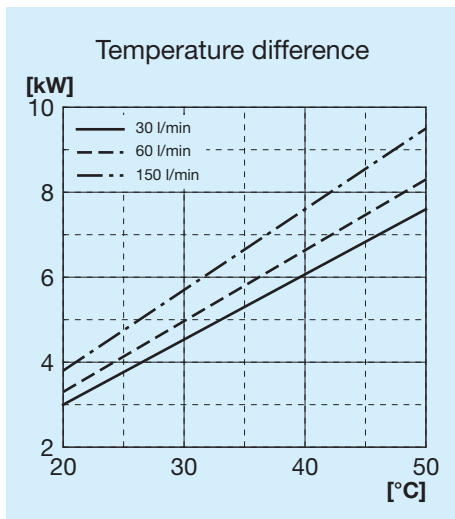
Legend

A26	Exchanger type
1E	1 Fan unit
AP	High power aspirating
SP	High power blower
AX	Extra high power aspirating
SX	Extra high power blower
12V	Fan unit voltage
24V	Fan unit voltage
T15 VT	Thermostatic bypass valve 3 bar 60°C
T15 VNR	Pressure bypass valve at 4.5 bar

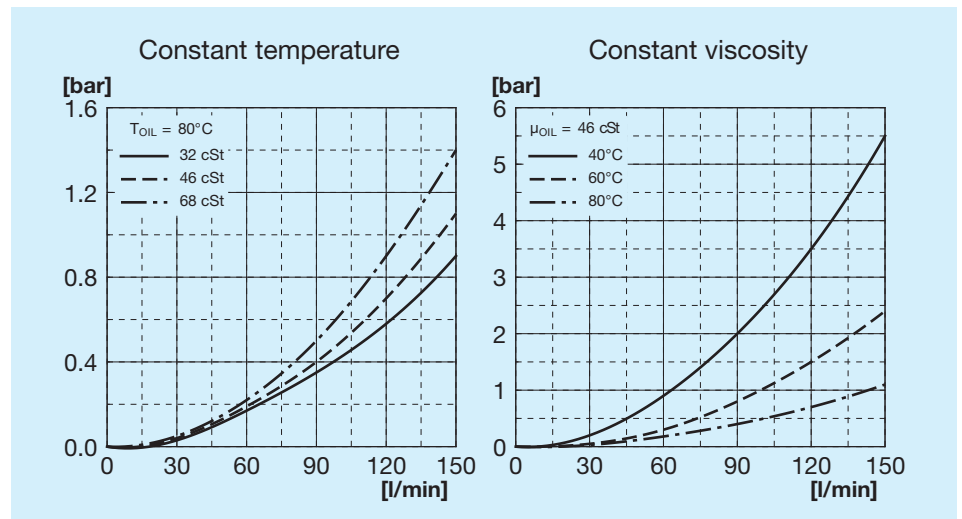


Code	Description	Fan mm	Power W	Frequency Hz	Velocity min ⁻¹	IP Rating	L Max mm	H mm	Weight Kg	Capacity l
FR633133141	A26 1EA 220V-B14 bypass T15 V.T. 3 bar 60°C	290	370	50	2790	65	362	387	11,5	2,3
FR633133141	A26 1EA 220V-B14 bypass T15 V.T. 3 bar 60°C	290	370	50	2790	65	362	387	11,5	2,3
FR633131041	A26 1EA 220V-B14 bypass T15 VNR 4.5 bar	290	370	50	2790	65	362	371	11,5	2,3
FR633131041	A26 1EA 220V-B14 bypass T15 VNR 4.5 bar	290	370	50	2790	65	362	371	11,5	2,3
FR633133151	A26 1EA 380V-B14 bypass T15 V.T. 3 bar 60°C	290	370	50	2790	65	362	387	11,5	2,3
FR633133152	A26 1ES 380V-B14 bypass T15 V.T. 3 bar 60°C	290	370	50	2790	65	362	387	11,5	2,3
FR633131051	A26 1EA 380V-B14 bypass T15 VNR 4.5 bar	290	370	50	2790	65	362	371	11,5	2,3
FR633131052	A26 1ES 380V-B14 bypass T15 VNR 4.5 bar	290	370	50	2790	65	362	371	11,5	2,3
FR633130041	A26 1EA 220V-B14	290	370	50	2790	65	362	390,5	11,5	2,3
FR633130042	A26 1ES 220V-B14	290	370	50	2790	65	362	390,5	11,5	2,3
FR633130051	A26 1EA 380V-B14	290	370	50	2790	65	362	390,5	11,5	2,3
FR633130052	A26 1ES 380V-B14	290	370	50	2790	65	362	390,5	11,5	2,3

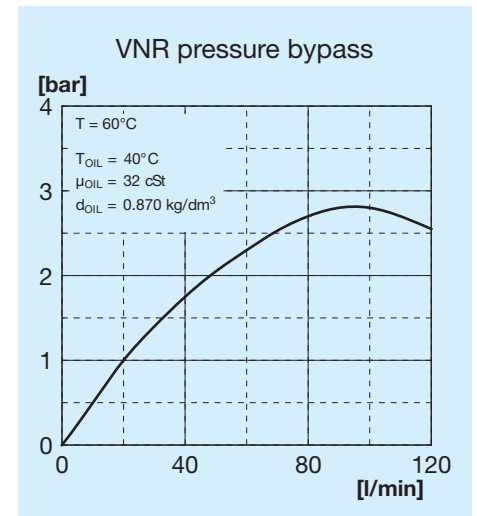
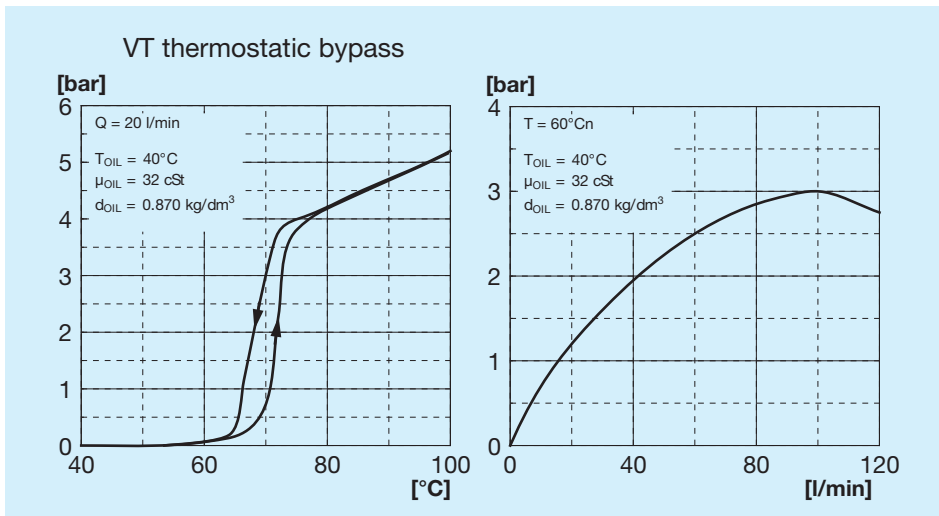
Heat exchange capacity



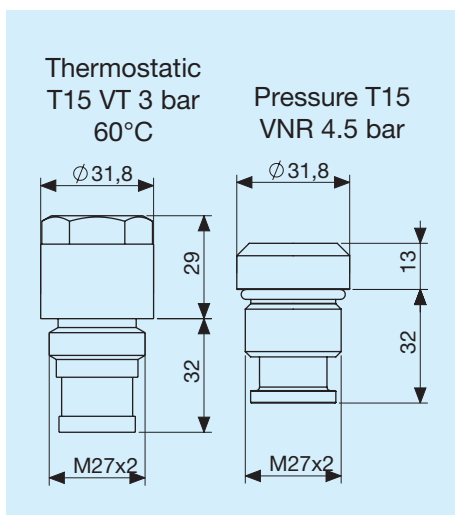
Radiator passage pressure drop



Bypass passage load loss



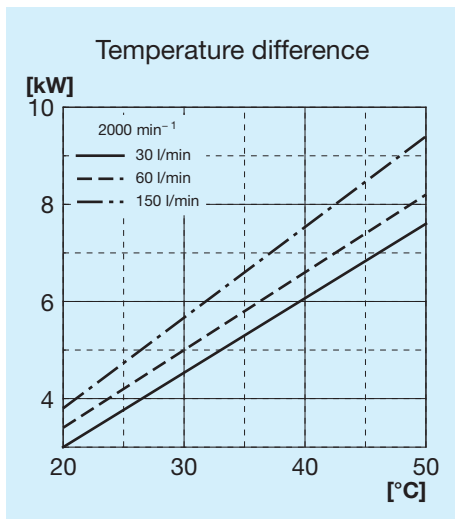
Bypass valves



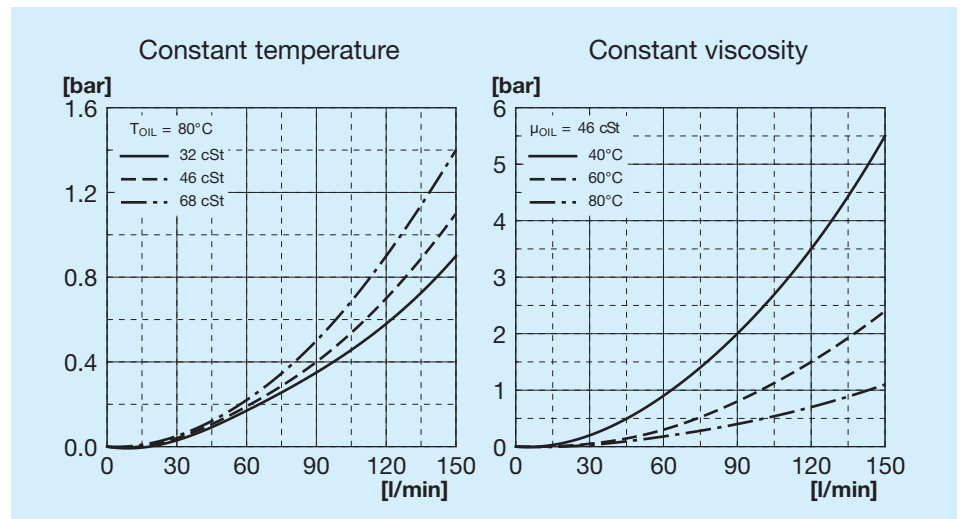
Legend

A26	Exchanger type
1E	1 Fan unit
AP	High power aspirating
SP	High power blower
AX	Extra high power aspirating
SX	Extra high power blower
12V	Fan unit voltage
24V	Fan unit voltage
T15 VT	Thermostatic bypass valve 3 bar 60°C
T15 VNR	Pressure bypass valve at 4.5 bar

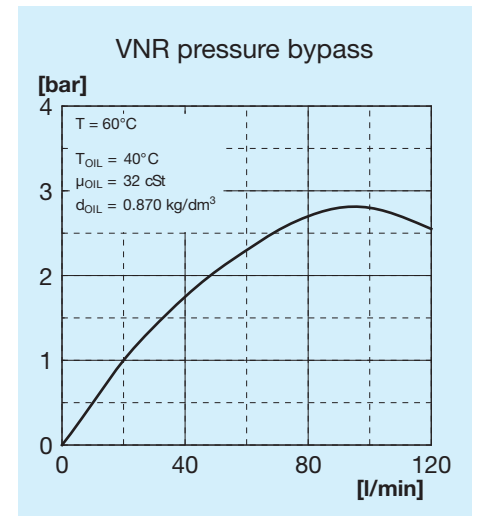
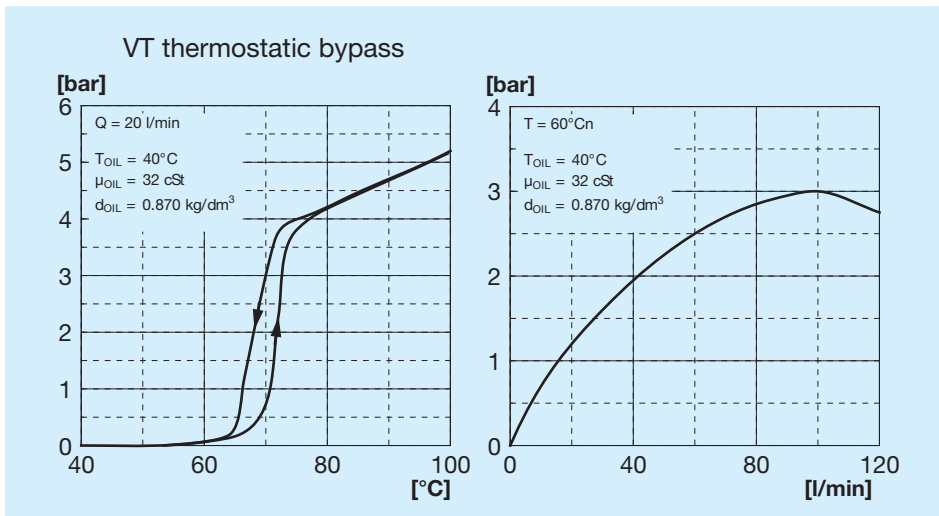
Heat exchange capacity



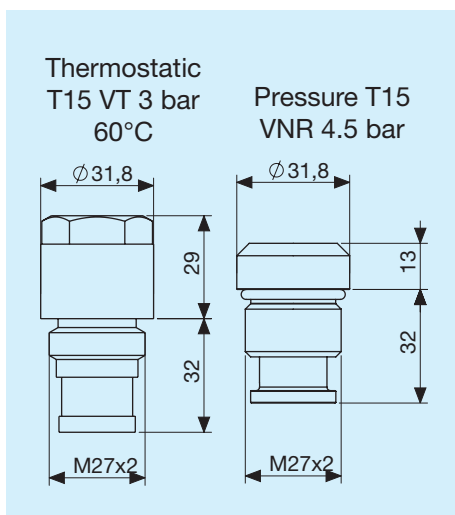
Radiator passage pressure drop



Bypass passage load loss



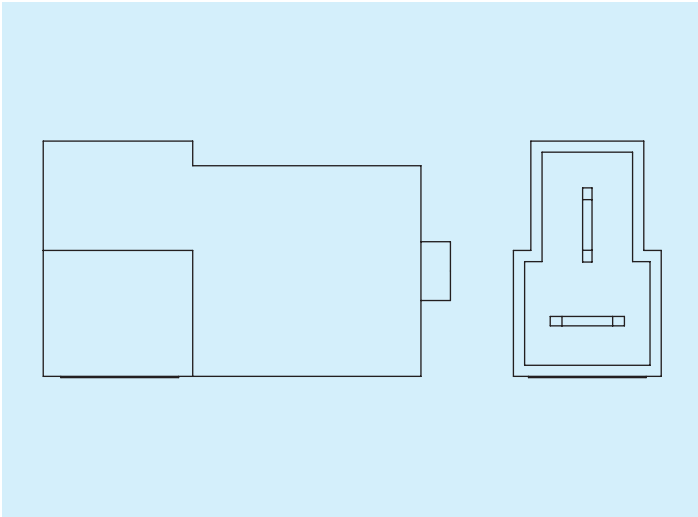
Bypass valves



Legend

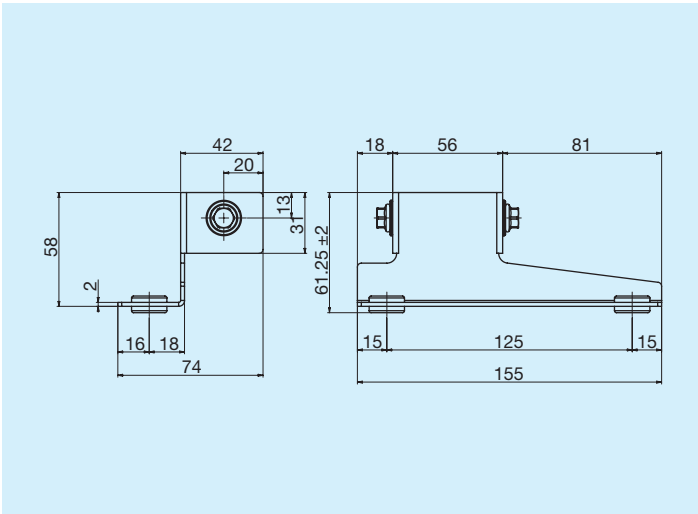
A26	Exchanger type
1E	1 Fan unit
AP	High power aspirating
SP	High power blower
AX	Extra high power aspirating
SX	Extra high power blower
12V	Fan unit voltage
24V	Fan unit voltage
T15 VT	Thermostatic bypass valve 3 bar 60°C
T15 VNR	Pressure bypass valve at 4.5 bar

Connector



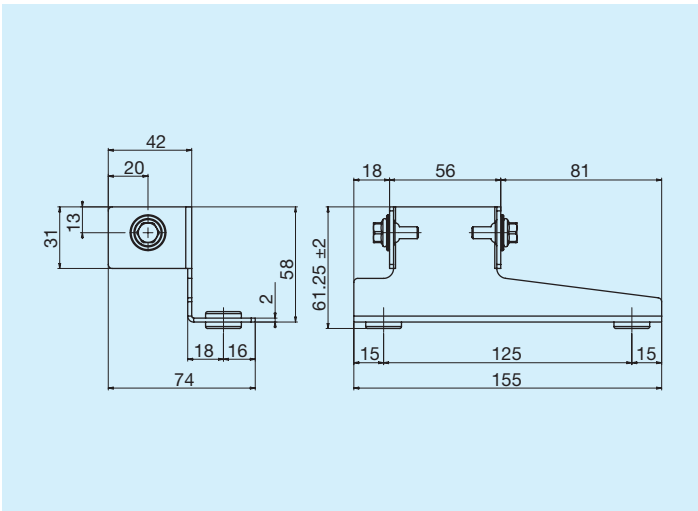
	Code
AMP connector	180908

Left supporting foot



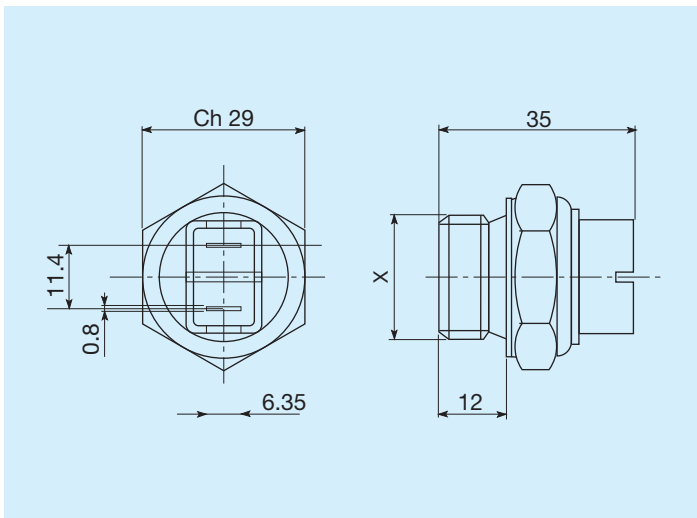
	Code
Left supporting foot	FR29000011

Right supporting foot



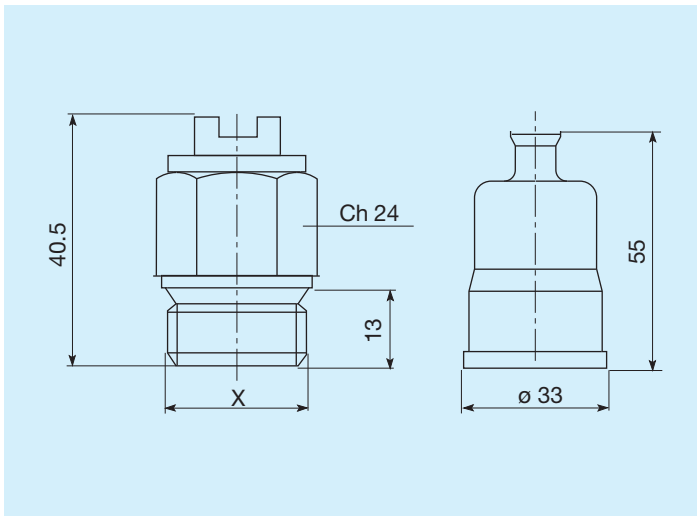
	Code
Right supporting foot	FR29000012

Thermostats



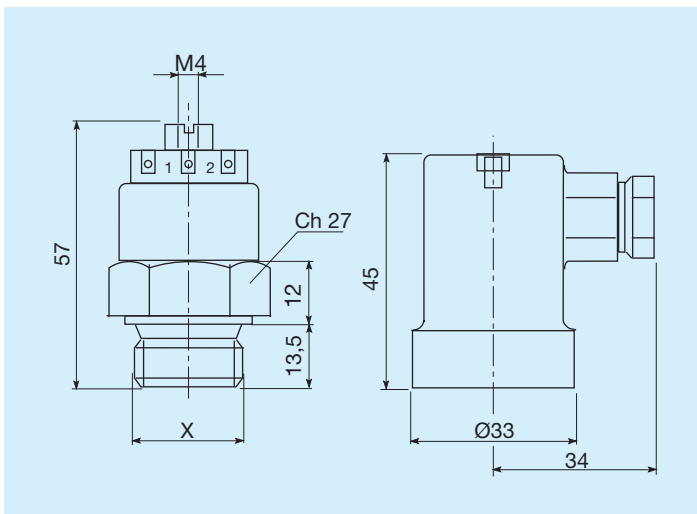
Trigger temperature °C		Code
45 - 35	M22x1.5	FR 361104535
60 - 50	M22x1.5	FR 361106050
80 - 70	M22x1.5	FR 361108070
82 - 68	M22x1.5	FR 361108268
85 - 76	M22x1.5	FR 361108576

IP54 protected thermal switch



Trigger temperature °C		Code
45 - 35	M22x1.5	FR 361124535
50 - 40	M22x1.5	FR 361125040
60 - 50	M22x1.5	FR 361126050
70 - 60	M22x1.5	FR 361127060
80 - 70	M22x1.5	FR 361128070

IP65 protected thermal switch



Trigger temperature °C		Code
45 - 35	M22x1.5	FR 361154535
47 - 36	M22x1.5	FR 361155040
60 - 50	M22x1.5	FR 361156050
80 - 70	M22x1.5	FR 361158070